



**BUILDING CODE COMPLIANCE OFFICE (BCCO)
PRODUCT CONTROL DIVISION**

**MIAMI-DADE COUNTY, FLORIDA
METRO-DADE FLAGLER BUILDING
140 WEST FLAGLER STREET, SUITE 1603
MIAMI, FLORIDA 33130-1563
(305) 375-2901 FAX (305) 372-6339**

NOTICE OF ACCEPTANCE (NOA)

www.maimidade.gov/buildingcode

**T.M. Window & Door LLC
601 NW 12th Ave.
Pompano Beach, FL 33069**

SCOPE:

This NOA is being issued under the applicable rules and regulations governing the use of construction materials. The documentation submitted has been reviewed by Miami-Dade County Product Control Division and accepted by the Board of Rules and Appeals (BORA) to be used in Miami Dade County and other areas where allowed by the Authority Having Jurisdiction (AHJ).

This NOA shall not be valid after the expiration date stated below. The Miami-Dade County Product Control Division (In Miami Dade County) and/or the AHJ (in areas other than Miami Dade County) reserve the right to have this product or material tested for quality assurance purposes. If this product or material fails to perform in the accepted manner, the manufacturer will incur the expense of such testing and the AHJ may immediately revoke, modify, or suspend the use of such product or material within their jurisdiction. BORA reserves the right to revoke this acceptance, if it is determined by Miami-Dade County Product Control Division that this product or material fails to meet the requirements of the applicable building code. This product is approved as described herein, and has been designed to comply with the Florida Building Code, including the High Velocity Hurricane Zone.

DESCRIPTION: Series 805 Aluminum Horizontal Rolling Window – L.M.I.

APPROVAL DOCUMENT: Drawing No. **W08-81**, titled “Series 805 Alum. Horizontal Rolling Wdw. (L.M.I.)”, sheets 1 through 6 of 6, dated 09/19/08, prepared by Al-Farooq Corporation, signed and sealed by Humayoun Farooq, P.E., bearing the Miami-Dade County Product Control Revision stamp with the Notice of Acceptance number and expiration date by the Miami-Dade County Product Control Division.

MISSILE IMPACT RATING: Large and Small Missile Impact Resistant

LABELING: Each unit shall bear a permanent label with the manufacturer's name or logo, city, state and following statement: "Miami-Dade County Product Control Approved", unless otherwise noted herein.

RENEWAL of this NOA shall be considered after a renewal application has been filed and there has been no change in the applicable building code negatively affecting the performance of this product.

TERMINATION of this NOA will occur after the expiration date or if there has been a revision or change in the materials, use, and/or manufacture of the product or process. Misuse of this NOA as an endorsement of any product, for sales, advertising or any other purposes shall automatically terminate this NOA. Failure to comply with any section of this NOA shall be cause for termination and removal of NOA.

ADVERTISEMENT: The NOA number preceded by the words Miami-Dade County, Florida, and followed by the expiration date may be displayed in advertising literature. If any portion of the NOA is displayed, then it shall be done in its entirety.

INSPECTION: A copy of this entire NOA shall be provided to the user by the manufacturer or its distributors and shall be available for inspection at the job site at the request of the Building Official.

This NOA **revises and renews NOA # 06-0329.02** and consists of this page 1 and evidence pages E-1 and E-2, as well as approval document mentioned above.

The submitted documentation was reviewed by **Manuel Perez, P.E.**



**NOA No. 09-0105.02
Expiration Date: May 13, 2014
Approval Date: March 4, 2009
Page 1**


NOTICE OF ACCEPTANCE: EVIDENCE SUBMITTED

A. DRAWINGS

1. Manufacturer's die drawings and sections.
2. Drawing No **W08-81**, Sheets 1 through 6 of 6, titled "Series 805 Alum. Horizontal Rolling Wdw. (L.M.I.)", dated 09/19/08, prepared by Al-Farooq Corporation, signed and sealed by Humayoun Farooq, P.E.

B. TESTS

1. Test reports on: 1) Air Infiltration Test, per FBC, TAS 202-94
2) Uniform Static Air Pressure Test, Loading per FBC TAS 202-94
3) Water Resistance Test, per FBC, TAS 202-94
4) Large Missile Impact Test per FBC, TAS 201-94
5) Cyclic Wind Pressure Loading per FBC, TAS 203-94
6) Forced Entry Test, per FBC 2411 3.2.1, TAS 202-94
along with marked-up drawings and installation diagram of aluminum horizontal rolling window, prepared by Fenestration Testing Laboratory, Inc., Test Report No. **FTL-5457**, dated 01/22/08, signed & sealed by Carlos S. Rionda, P.E.
2. Test reports on: 1) Uniform Static Air Pressure Test, Loading per FBC TAS 202-94
2) Large Missile Impact Test per FBC, TAS 201-94
3) Cyclic Wind Pressure Loading per FBC, TAS 203-94
along with marked-up drawings and installation diagram of aluminum horizontal rolling window, prepared by Fenestration Testing Laboratory, Inc., Test Report No. **FTL-5459**, dated 01/17/08, signed & sealed by Michael R. Wenzel, P.E.
3. Test reports on: 1) Air Infiltration Test, per FBC, TAS 202-94
2) Uniform Static Air Pressure Test, Loading per FBC, TAS 202-94
3) Water Resistance Test, per FBC, TAS 202-94
4) Large Missile Impact Test per FBC, TAS 201-94
5) Cyclic Wind Pressure Loading per FBC, TAS 203-94
6) Forced Entry Test, per FBC 2411 3.2.1 and TAS 202-94
along with marked-up drawings and installation diagram of alum horizontal rolling window (XOX), prepared by Fenestration Testing Laboratory, Inc., Test Report No. **FTL-3946**, dated 11/04/03, signed & sealed by Edmundo Largaespada, P.E.
4. Test reports on: 1) Uniform Static Air Pressure Test, Loading per FBC, TAS 202-94
2) Large Missile Impact Test per FBC, TAS 201-94
3) Cyclic Wind Pressure Loading per FBC, TAS 203-94
along with marked-up drawings and installation diagram of aluminum horizontal rolling window (XO), prepared by Fenestration Testing Laboratory, Inc., Test Report No. **FTL-3995**, dated 11/13/03, signed and sealed by Edmundo Largaespada, P.E.


Manuel Perez, P.E.
Product Control Examiner
NOA No. 09-0105.02
Expiration Date: May 13, 2014
Approval Date: March 4, 2009

T.M. Window & Door LLC

NOTICE OF ACCEPTANCE: EVIDENCE SUBMITTED

C. CALCULATIONS

1. Anchor verification calculations and structural analysis, complying with FBC-2004 and 2007, prepared by Al-Farooq Corporation, dated 10/24/08, signed and sealed by Humayoun Farooq, P.E.
Complies with ASTM E1300-02

D. QUALITY ASSURANCE

1. Miami Dade Building Code Compliance Office (BCCO).

E. MATERIAL CERTIFICATIONS

1. Notice of Acceptance No. **07-1116.04** issued to **E.I. DuPont DeNemours & Co., Inc.** for their "**DuPont SentryGlas ® Plus**" dated 01/03/08, expiring on 01/14/12.
2. Notice of Acceptance No. **06-0216.06** issued to **Solutia, Inc.** for their "**Saflex III G Clear or colored Interlayer**" dated 05/04/06, expiring on 05/21/11.
3. Notice of Acceptance No. **03-1117.01** issued to **Surface Specialties, Inc.** for their "**Uvekol a Laminate Glass Component**", dated 01/29/04, expiring on 02/08/09.

F. STATEMENTS

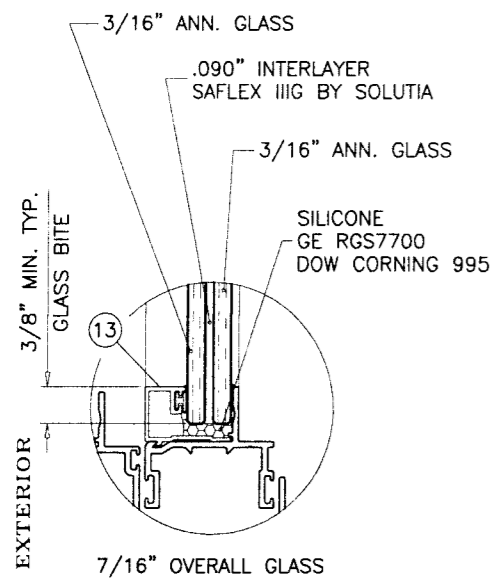
1. Statement letter of conformance, dated October 24, 2008, signed and sealed by Humayoun Farooq, P.E.
2. Statement letter of no financial interest, dated October 24, 2008, signed and sealed by Humayoun Farooq, P.E.
3. Laboratory compliance letter for Test Report no. **FTL-5457**, issued by Fenestration Testing Laboratory, Inc., dated March 13, 2008, signed and sealed by Carlos S. Rionda, P.E.
4. Laboratory compliance letter for Test Report no. **FTL-5459**, issued by Fenestration Testing Laboratory, Inc., dated February 21, 2008, signed and sealed by Michael R. Wenzel, P.E.

G. OTHER

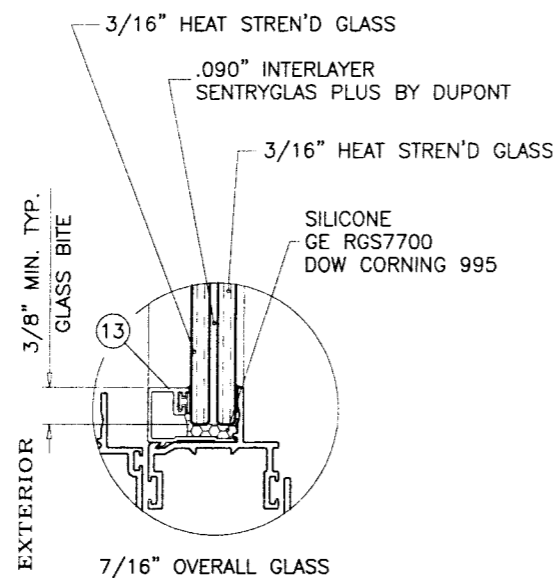
1. Notice of Acceptance No. **06-0329.02**, issued to T.M. Window & Door Co. for their Series "805" Aluminum Horizontal Rolling Window w/ wo Reinforcement – L.M.I., approved on 07/13/06 and expiring on 05/13/09.


Manuel Perez, P.E.
Product Control Examiner
NOA No. 09-0103.02

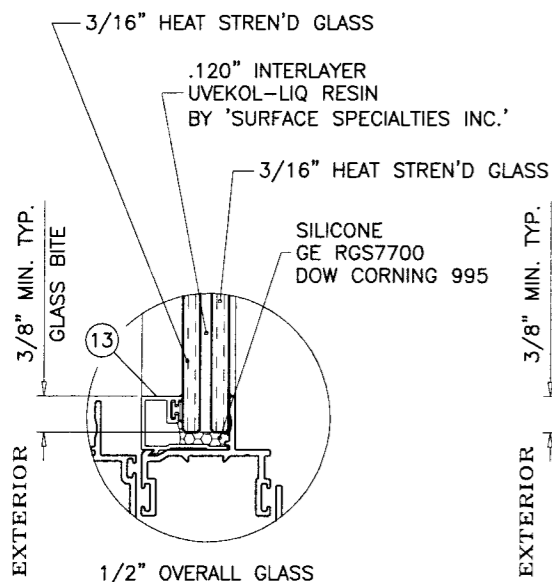
Expiration Date: May 13, 2014
Approval Date: March 4, 2009



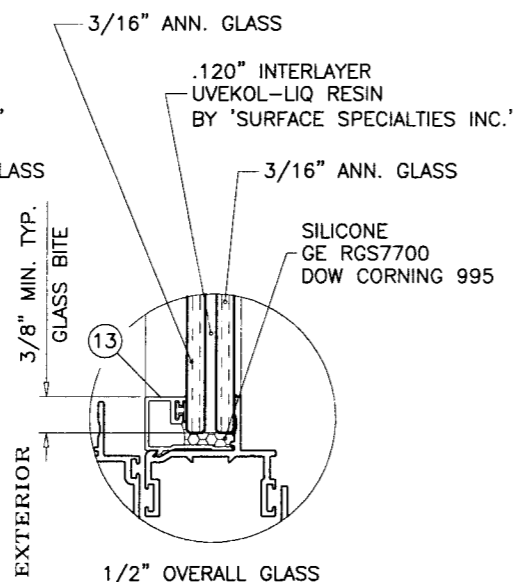
TYPE 'A'



TYPE 'B'



TYPE 'C'



TYPE 'D'

GLAZING OPTIONS

SERIES 805

ALUMINUM HORIZONTAL ROLLING WDW.

DESIGN LOAD RATINGS FOR THESE WINDOWS TO BE AS PER CHARTS SHOWN ON SHEETS 1 & 2.

APPROVAL APPLIES TO SINGLE UNITS OR SIDE BY SIDE COMBINATIONS OF H.R./H.R. OR HORIZONTAL ROLLING WITH OTHER MIAMI-DADE COUNTY APPR'D WINDOWS USING MIAMI-DADE COUNTY APPROVED MULLIONS IN BETWEEN. LOWER DESIGN PRESSURE FROM WINDOWS OR MULLION APPROVAL WILL APPLY TO ENTIRE SYSTEM.

THIS PRODUCT HAS BEEN DESIGNED AND TESTED TO COMPLY WITH THE REQUIREMENTS OF THE FLORIDA BUILDING CODE 2004/2007 EDITION INCLUDING HIGH VELOCITY HURRICANE ZONE (HVHZ).

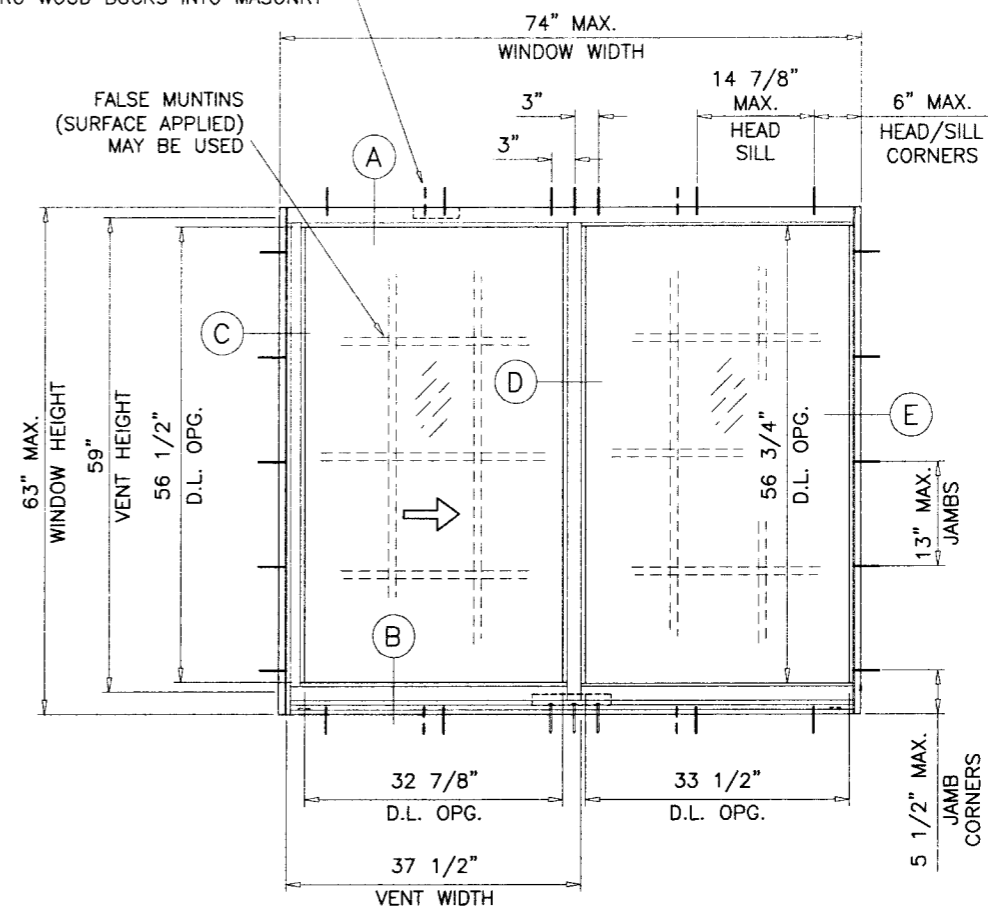
WOOD BUCKS BY OTHERS, MUST BE ANCHORED PROPERLY TO TRANSFER LOADS TO THE STRUCTURE.

ANCHORS SHALL BE AS LISTED, SPACED AS SHOWN ON DETAILS, ANCHORS EMBEDMENT TO BASE MATERIAL SHALL BE BEYOND WALL DRESSING OR STUCCO. ANCHORING OR LOADING CONDITIONS NOT SHOWN IN THESE DETAILS ARE NOT PART OF THIS APPROVAL.

A LOAD DURATION INCREASE IS USED IN DESIGN OF ANCHORS INTO WOOD ONLY.

MATERIALS INCLUDING BUT NOT LIMITED TO STEEL/METAL SCREWS, THAT COME INTO CONTACT WITH OTHER DISSIMILAR MATERIALS SHALL MEET THE REQUIREMENTS OF 2004/2007 FLORIDA BLDG. CODE SECTION 2003.8.4.

ADDL. ANCHOR REQD. FOR INSTALLATIONS INTO WOOD STRUCTURES OR THRU WOOD BUCKS INTO MASONRY



TYPICAL ELEVATION

XO OR OX SIZES
MAXIMUM DESIGN LOAD RATING - PSF
FOR SIZES SHOWN ABOVE OR SMALLER

| GLASS TYPE 'A' | | GLASS TYPE 'B' | | GLASS TYPE 'C' | | GLASS TYPE 'D' | |
|----------------|---------|----------------|---------|----------------|---------|----------------|---------|
| EXT.(+) | INT.(-) | EXT.(+) | INT.(-) | EXT.(+) | INT.(-) | EXT.(+) | INT.(-) |
| 80.0 | 90.0 | 90.0 | 130.0 | 90.0 | 90.0 | 55.0 | 55.0 |

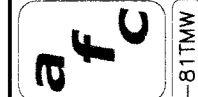
NOTE:
GLASS CAPACITIES ON THIS SHEET ARE BASED ON ASTM E1300-02/04 (3 SEC. GUSTS) AND FLORIDA BUILDING COMMISSION DECLARATORY STATEMENT DCA05-DEC-219

THESE WINDOWS ARE RATED FOR LARGE MISSILE IMPACT. SHUTTERS ARE NOT REQUIRED.

Engr: DR. HUMAYOON FAROOQ
STRUCTURES
FLA. PE # 16557
C.A.N. 3638

PRODUCT REVISED
as complying with the Florida
Building Code
Approval No. 09-0105.02
Expiration Date MAY 13, 2014
By: *Mamad Farooq*
Miami Code Product Control
Division

NOV 06 2008



AL-FAROOQ CORPORATION
ENGINEERS & PRODUCT DEVELOPMENT
1235 S.W. 87 AVE
MIAMI, FLORIDA 33174
TEL. (305) 264-8100 FAX. (305) 262-6978
COMP-ANL\W08-81TMM

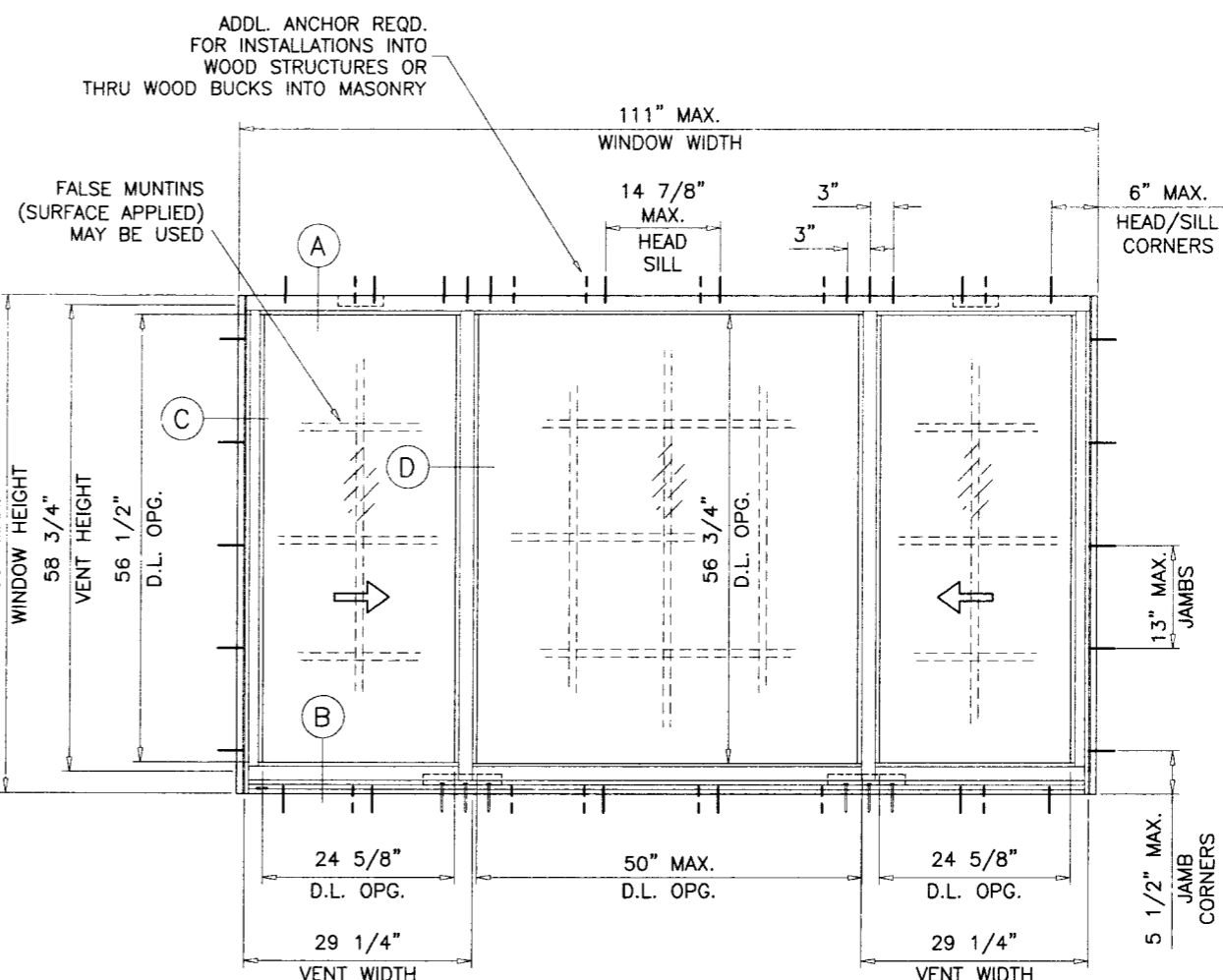
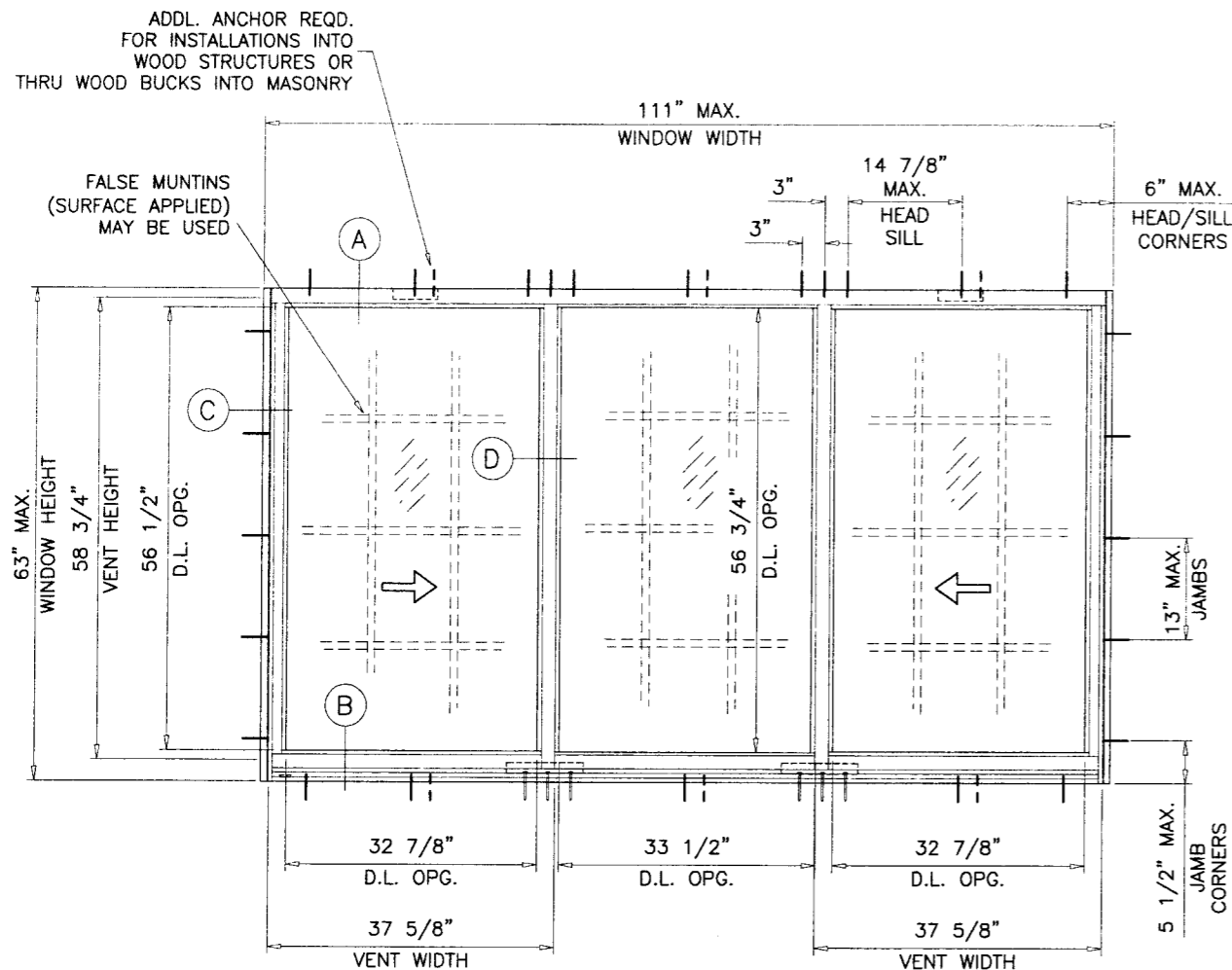
SERIES 805 ALUM HORIZONTAL ROLLING WDW. (L.M.I.)
TM WINDOWS, LLC
601 N.W. 12TH AVE.
POMPANO BEACH, FL. 33069
TEL. (954) 781-4430 FAX. (954) 781-3595

revisions:

| no | date | description |
|----|------|-------------|
| | | |

date: 09-19-08
scale: 1/2"=1'-0"
dr. by: HAMID
chk. by:

drawing no.
W08-81
sheet 1 of 6



TYPICAL ELEVATIONS

XOX SIZES
MAXIMUM DESIGN LOAD RATING - PSF
FOR SIZES SHOWN ABOVE OR SMALLER

| GLASS TYPE 'A' | | GLASS TYPE 'B' | | GLASS TYPE 'C' | |
|----------------|---------|----------------|---------|----------------|---------|
| EXT.(+) | 1NT.(-) | EXT.(+) | 1NT.(-) | EXT.(+) | 1NT.(-) |
| 80.0 | 90.0 | 90.0 | 130.0 | 90.0 | 90.0 |

XOX SIZES
MAXIMUM DESIGN LOAD RATING - PSF
FOR SIZES SHOWN ABOVE OR SMALLER

| GLASS TYPE 'A' | | GLASS TYPE 'B' | |
|----------------|---------|----------------|---------|
| EXT.(+) | 1NT.(-) | EXT.(+) | 1NT.(-) |
| 80.0 | 90.0 | 90.0 | 130.0 |

NOTE:
GLASS CAPACITIES ON THIS SHEET ARE
BASED ON ASTM E1300-02/04 (3 SEC. GUSTS)
AND FLORIDA BUILDING COMMISSION
DECLARATORY STATEMENT DCA05-DEC-219

Engr: DR. HUMAYOUN FAROOQ
STRUCTURES
FLA. PE # 16557
C.A.N. 3538

NOV 06 2008

PRODUCT REVISION
As per change with the Florida
Building Dept.
09-0105.02
NOV 13, 2014
Manuel Perez



AL-FAROOQ CORPORATION
ENGINEERS & PRODUCT DEVELOPMENT
1235 S.W. 87 AVE
MIAMI, FLORIDA 33174
TEL. (305) 264-8100 FAX. (305) 262-6978
COMP-ANL\W08-81TMW

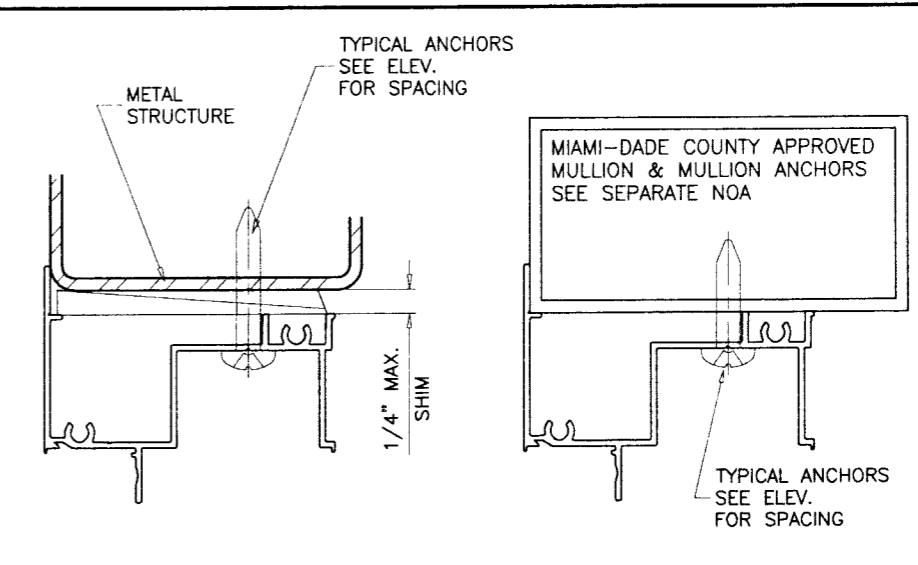
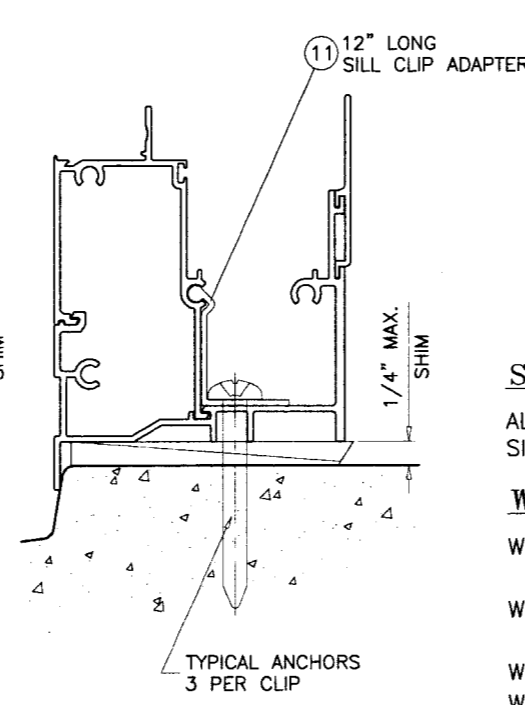
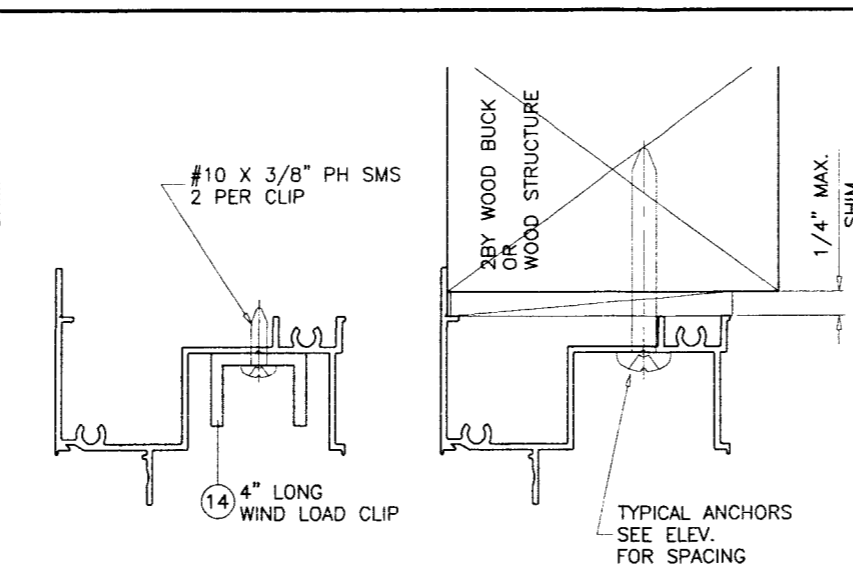
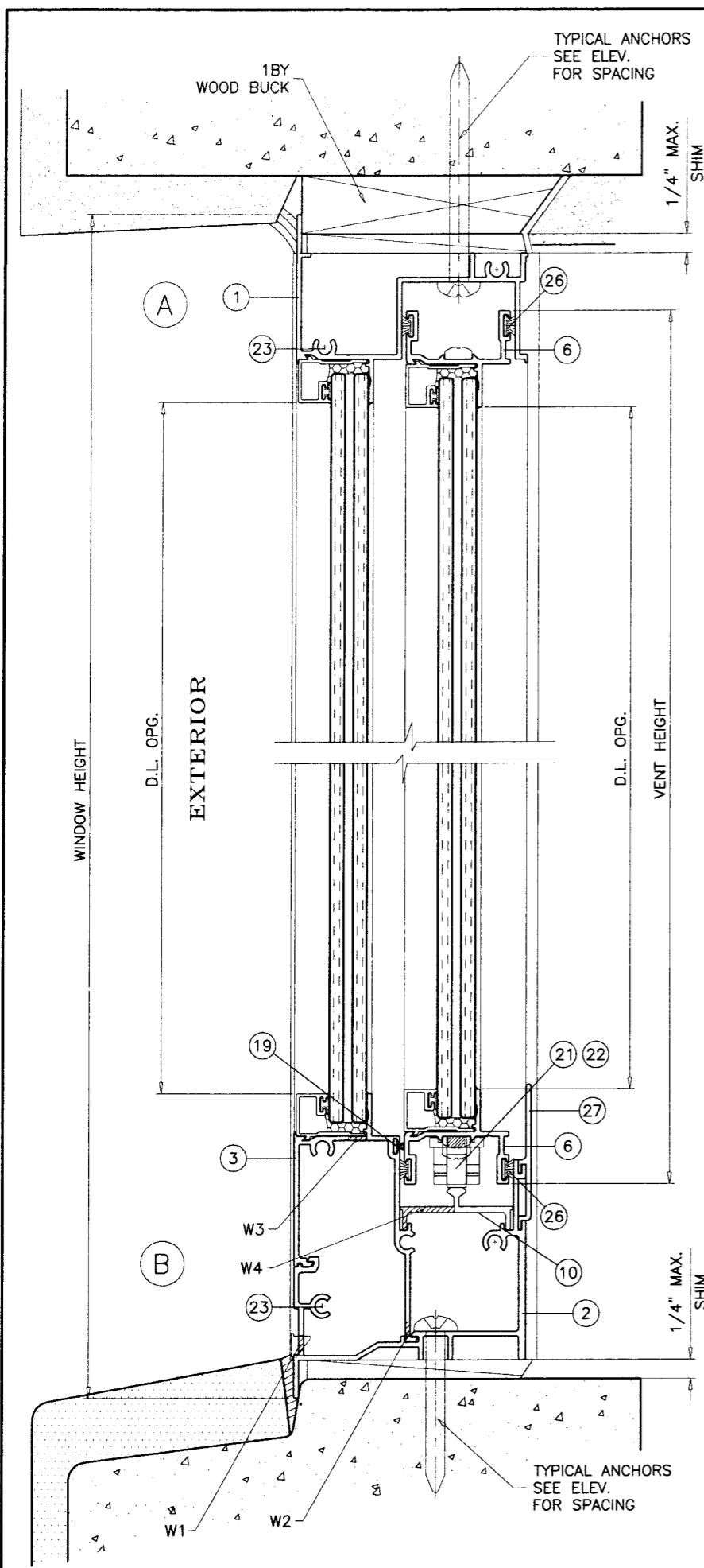
SERIES 805 ALUM HORIZONTAL ROLLING WDW. (L.M.I.)
TM WINDOWS, LLC
601 N.W. 12TH AVE.
POMPANO BEACH, FL. 33069
TEL. (954) 781-4430 FAX. (954) 781-3595

revisions:

| no | date | description |
|----|------|-------------|
| | | |
| | | |
| | | |

date: 09-19-08
scale: 1/2" = 1"
dr. by: HAMID
chk. by:

drawing no.
W08-81



WOOD BUCKS AND METAL STRUCTURE NOT BY TM WINDOWS MUST SUSTAIN LOADS IMPOSED BY GLAZING SYSTEM AND TRANSFER THEM TO THE BUILDING STRUCTURE.

TYPICAL ANCHORS: SEE ELEV. FOR SPACING
1/4" DIA. ULTRACON BY 'ELCO' (Fu=177 KSI, Fy=155 KSI)
 INTO 2BY WOOD BUCKS OR WOOD STRUCTURES
 1-1/2" MIN. PENETRATION INTO WOOD
 THRU 1BY BUCKS INTO CONC. OR MASONRY
 1-1/4" MIN. EMBED INTO CONC. OR MASONRY
 DIRECTLY INTO CONC. OR MASONRY
 1-5/8" MIN. EMBED INTO CONC. OR MASONRY
1/4" TEKS OR SELF DRILLING SCREWS (GRADE 2 CRS)
 INTO METAL STRUCTURES
 STEEL : 12 GA. MIN. (Fy = 36 KSI MIN.)
 ALUMINUM : 1/8" THK. MIN. (6063-T5 MIN.)
 (STEEL IN CONTACT WITH ALUMINUM TO BE PLATED OR PAINTED)

#14 SMS OR SELF DRILLING SCREWS
 INTO MIAMI-DADE COUNTY APPROVED MULLIONS (MIN. THK. = .100")
 (NO SHIM SPACE)
TYPICAL EDGE DISTANCE
 INTO CONCRETE AND MASONRY = 2-1/2" MIN.
 INTO WOOD STRUCTURE = 1" MIN.
 INTO METAL STRUCTURE = 3/4" MIN.
 CONCRETE f'c = 3000 PSI MIN.
 MASONRY f'm = 1500 PSI MIN.

SEALANTS:

ALL FRAME AND VENT JOINTS AND CONNECTIONS SEALED WITH SILICONE OR ACRYLIC SEALANT.

WEEPHOLES:

- W1 = 1-1/4" X 1/4" WEEPHOLES WITH PLASTIC BAFFLE AT 4-7/8" FROM EACH END AND AT MIDSPAN
- W2 = 1-1/4" X 1/4" WEEPHOLES AT 4-7/8" FROM EACH END AND AT MIDSPAN
- W3 = 2" LONG WEEP NOTCH AT EACH END
- W4 = 1" LONG WEEP NOTCH AT 32" FROM EACH END

Engr: DR. HUMAYOON FAROOQ
 STRUCTURES
 FLA. PE # 16557
 C.A.N. 3538
 NOV 06 2008

PRODUCT REVISED
 as complying with the Florida
 Building Code
 Approved by the
 Engineering Board
 09-0105.02
 MAY 13, 2014
Manuel Pagan

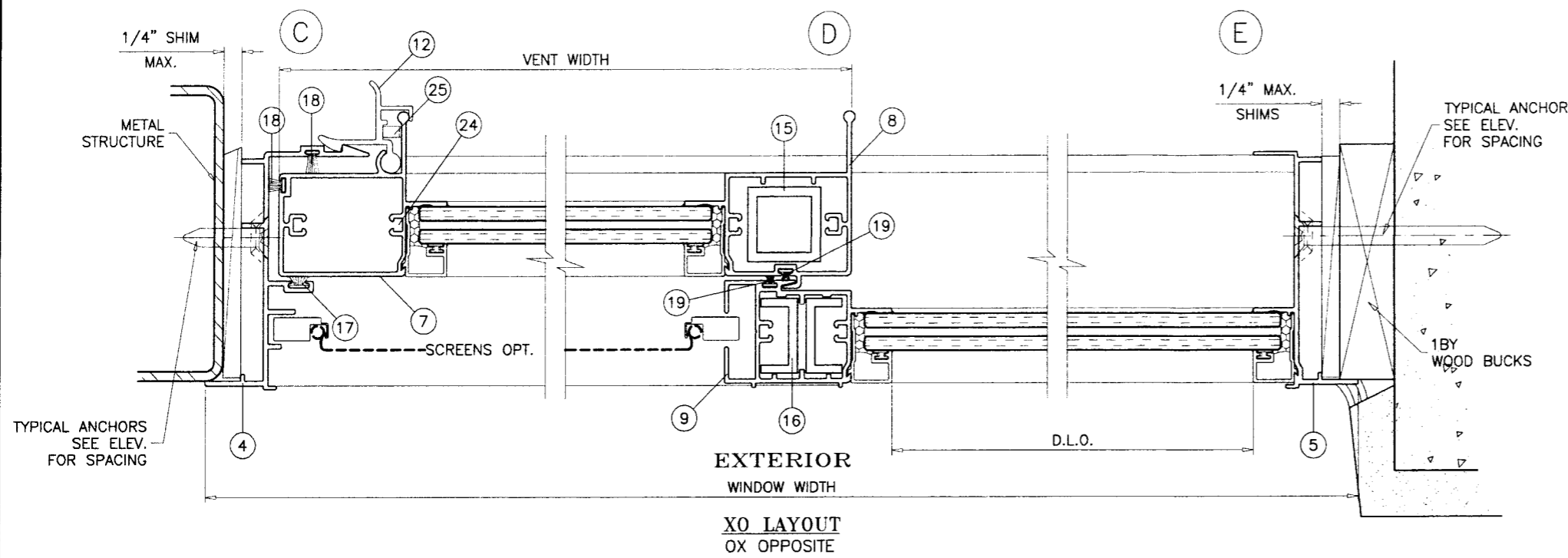
af c
AL-FAROOQ CORPORATION
 ENGINEERS & PRODUCT DEVELOPMENT
 1235 S.W. 87 AVE
 MIAMI, FLORIDA 33174
 TEL. (305) 264-8100 FAX. (305) 262-6978
 COMP-ANL\W08-81TMW

SERIES 805 ALUM HORIZONTAL ROLLING WDW. (L.M.I.)

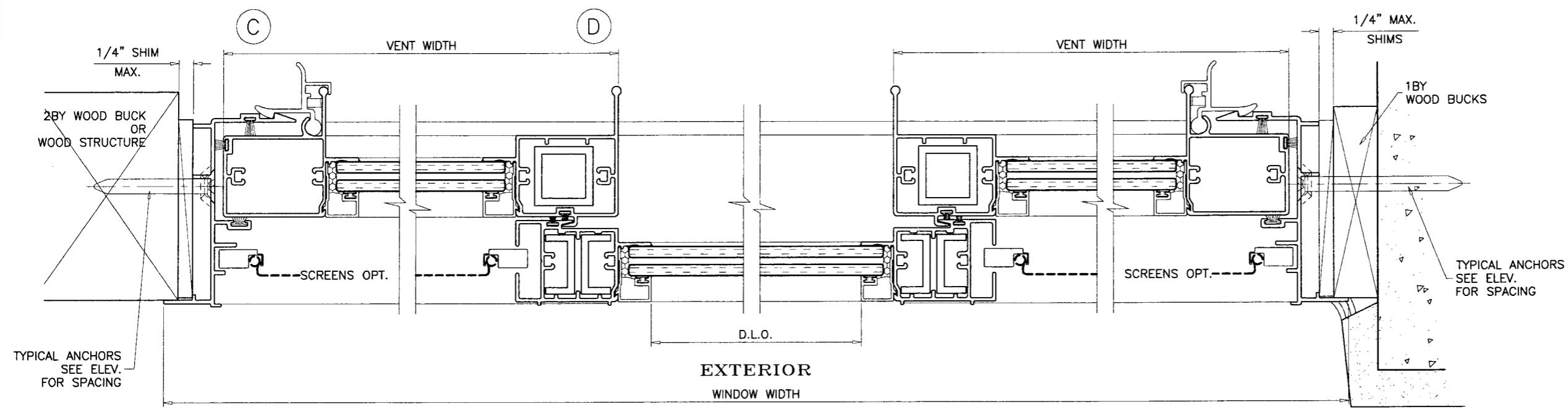
TM WINDOWS, LLC
 601 N.W. 12TH AVE.
 POMPANO BEACH, FL. 33069
 TEL. (954) 781-4430 FAX. (954) 781-3595

| no | date | description |
|----|------|-------------|
| | | |
| | | |
| | | |

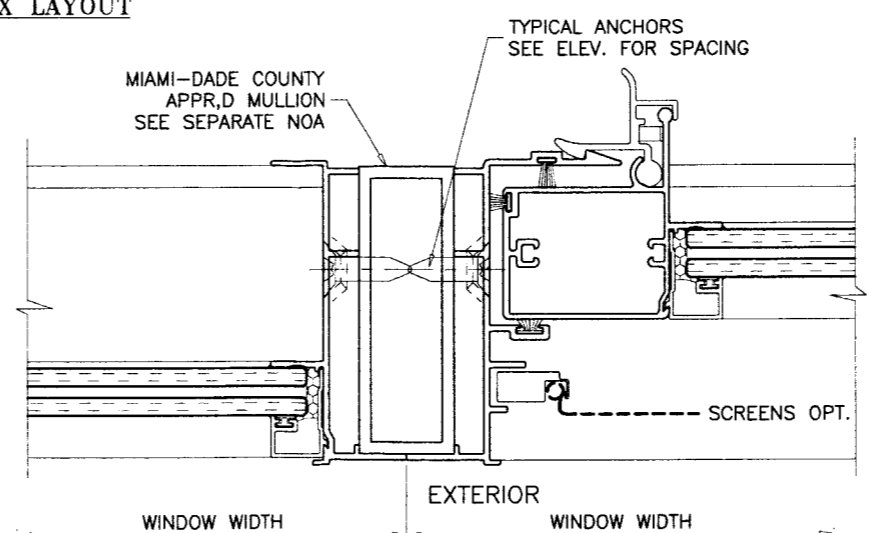
date: 09-19-08
 scale: 1/2" = 1"
 dr. by: HAMID
 chk. by:
 drawing no. **W08-81**
 sheet 3 of 6



EXTERIOR
WINDOW WIDTH
XO LAYOUT
OX OPPOSITE



EXTERIOR
WINDOW WIDTH
XOX LAYOUT



MIAMI-DADE COUNTY
APPR'D MULLION
SEE SEPARATE NOA

Engr. DR. HUMAYOUN FAROOQ
STRUCTURES
FLA. PE # 16357
C.A.N. 3538

NOV 05 2008

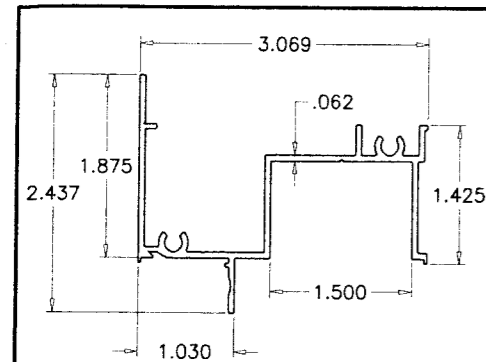
PRODUCT REVIEW
as completed with the Florida
Department of
09-0105.02
MAY 13, 2014
By *Manuel*

afc
AL-FAROOQ CORPORATION
ENGINEERS & PRODUCT DEVELOPMENT
1235 S.W. 87 AVE
MIAMI, FLORIDA 33174
TEL. (305) 264-8100 FAX (305) 262-6978
COMP-ANL\W08-81TMM

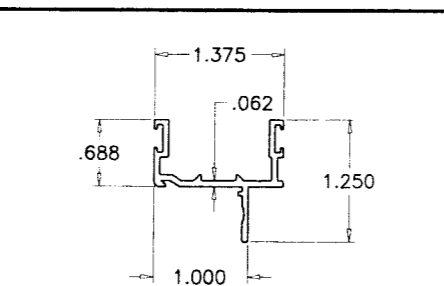
SERIES 805 ALUM HORIZONTAL ROLLING WDW. (L.M.I.)
TM WINDOWS, LLC
601 N.W. 12TH AVE.
POMPANO BEACH, FL. 33069
TEL. (954) 781-4430 FAX. (954) 781-3595

| no | date | description |
|----|------|-------------|
| | | |
| | | |
| | | |

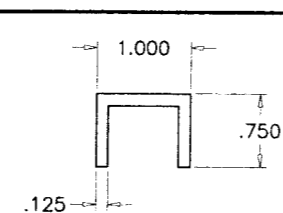
date: 09-19-08
scale: 1/2" = 1"
dr. by: HAMID
chk. by:
drawing no.
W08-81
sheet 4 of 6



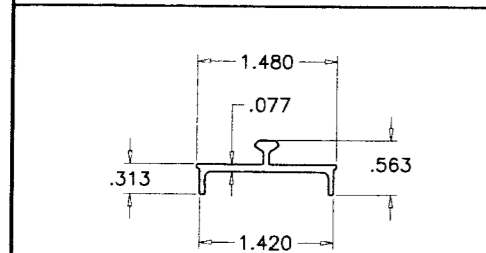
1 FRAME HEAD



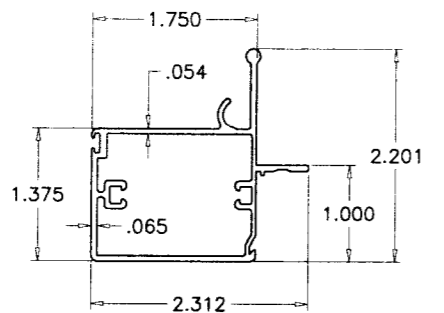
6 TOP & BOTTOM RAIL



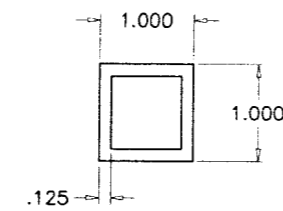
14 WIND LOAD CLIP



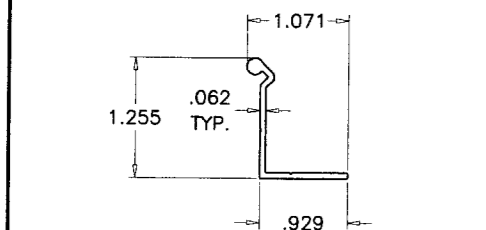
10 SILL TRACK



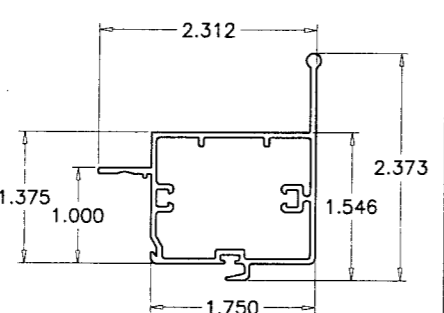
7 JAMB STILE



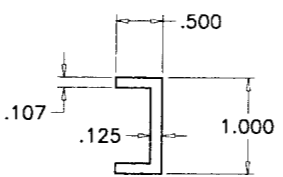
15 MTG. STILE REINF.



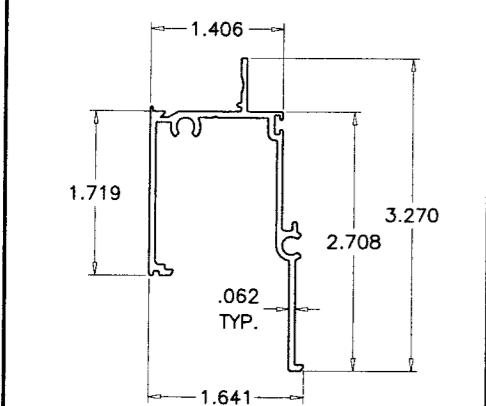
11 SILL CLIP ADAPTER



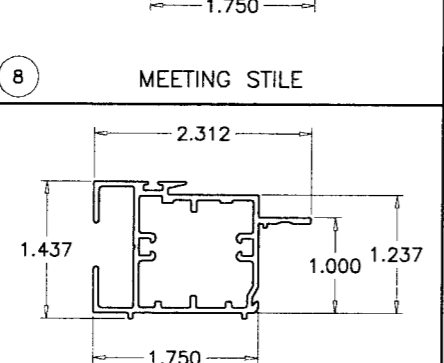
8 MEETING STILE



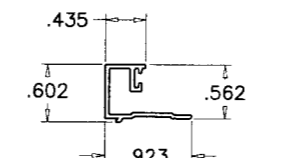
16 FIX. STILE REINF.



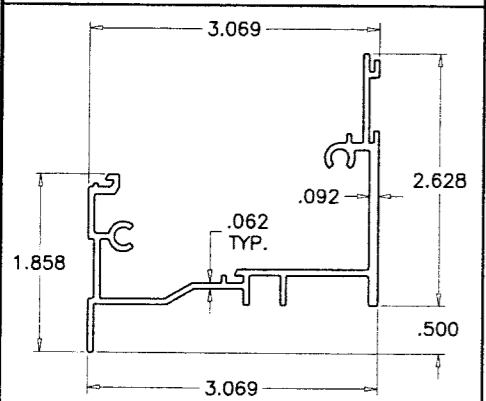
3 FRAME SILL TOP



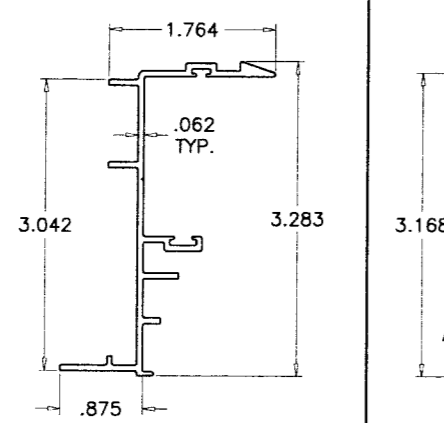
9 FIXED STILE



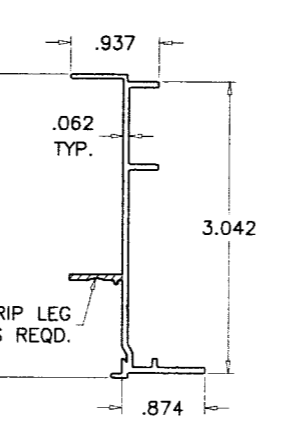
13 EXTRUDED GLAZING BEAD



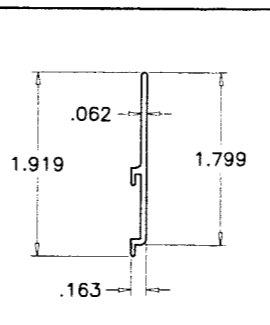
2 FRAME SILL BASE



4 FRAME JAMB - VENT



5 FRAME JAMB - FIXED



27 SILL RISER

| ITEM | PART # | QUANTITY | DESCRIPTION | MATERIAL | MANF./SUPPLIER/REMARKS |
|------|----------|-----------|---|-----------|----------------------------|
| 1 | TM-130 | 1 | FRAME HEAD | 6063-T6 | - |
| 2 | TM-133B | 1 | FRAME SILL BASE | 6063-T6 | - |
| 3 | TM-134 | 1 | FRAME SILL TOP | 6063-T6 | - |
| 4 | TM-132 | AS REQD. | FRAME JAMB - VENT | 6063-T6 | - |
| 5 | TM-131A | AS REQD. | FRAME JAMB - FIXED | 6063-T6 | - |
| 6 | TM-138 | 2/ VENT | TOP AND BOTTOM RAIL | 6063-T6 | - |
| 7 | TM-139 | 1/ VENT | JAMB STILE | 6063-T6 | - |
| 8 | TM-140 | 1/ VENT | MEETING STILE | 6063-T6 | - |
| 9 | TM-137 | 1/ VENT | FIXED STILE | 6063-T6 | - |
| 10 | TM-136 | 1 | SILL TRACK INSERT | 6063-T6 | - |
| 11 | TM-135 | 1 | SILL CLIP ADAPTER, 12" LONG | 6063-T6 | AT MTG. STILE LOCATION |
| 12 | TM-118 | 1/ VENT | VENT LATCH, 3-1/8" LONG | 6063-T6 | AT MID SPAN |
| 13 | TM-141A | AS REQD. | EXTRUDED GLAZING BEAD | 6063-T6 | - |
| 14 | TM-154 | AS REQD. | WIND LOAD CLIP, 4" LONG | 6063-T6 | - |
| 15 | - | 1/ STILE | MEETING STILE REINFORCING | 6063-T6 | - |
| 16 | - | 2/ STILE | FIXED STILE REINFORCING | 6063-T6 | - |
| 17 | W31225 | AS REQD. | FIN SEAL W'STRIPPING (.270" X .220" HIGH) | WOOL | - |
| 18 | W43371 | AS REQD. | FIN SEAL W'STRIPPING (.187" X .370" HIGH) | WOOL | - |
| 19 | W43201 | AS REQD. | FIN SEAL W'STRIPPING (.187" X .200" HIGH) | WOOL | - |
| 20 | P5043 | - | ADHESIVE BACK CLOSED CELL FOAM | - | 7/8" X 1/2" X 1-7/16" LONG |
| 21 | - | 2/ VENT | VENT ROLLER HOUSING & GUIDE | PLASTIC | AT EACH END |
| 22 | - | - | VENT ROLLER/WHEEL | BRASS | - |
| 23 | #12 X 1" | 2/ CORNER | FRAME ASSEMBLY SCREWS | - | P.H. PHILLIPS SMS |
| 24 | #10 X 1" | 2/ CORNER | VENT ASSEMBLY SCREWS | - | P.H. PHILLIPS SMS |
| 25 | - | 1/ LATCH | VENT LATCH SPRING | ST. STEEL | - |
| 26 | W31175 | AS REQD. | FIN SEAL W'STRIPPING (.187" X .175" HIGH) | WOOL | - |
| 27 | TM-151 | 1 | SILL RISER | 6063-T6 | - |

Engr: DR. HUMAYOUN FAROOQ
STRUCTURES
FLA. PE # 16557
C.A.N. 3538

09-0105.02
MAY 13, 2014
Maurice Perez

NOV 0 6 2008

AL-FAROOQ CORPORATION
ENGINEERS & PRODUCT DEVELOPMENT
1235 S.W. 87 AVE
MIAMI, FLORIDA 33174
TEL. (305) 264-8100 FAX. (305) 262-6978

SERIES 805 ALUM HORIZONTAL ROLLING WDW. (L.M.I.)
TM WINDOWS, LLC
601 N.W. 12TH AVE.
POMPANO BEACH, FL. 33069
TEL. (954) 781-4430 FAX. (954) 781-3595

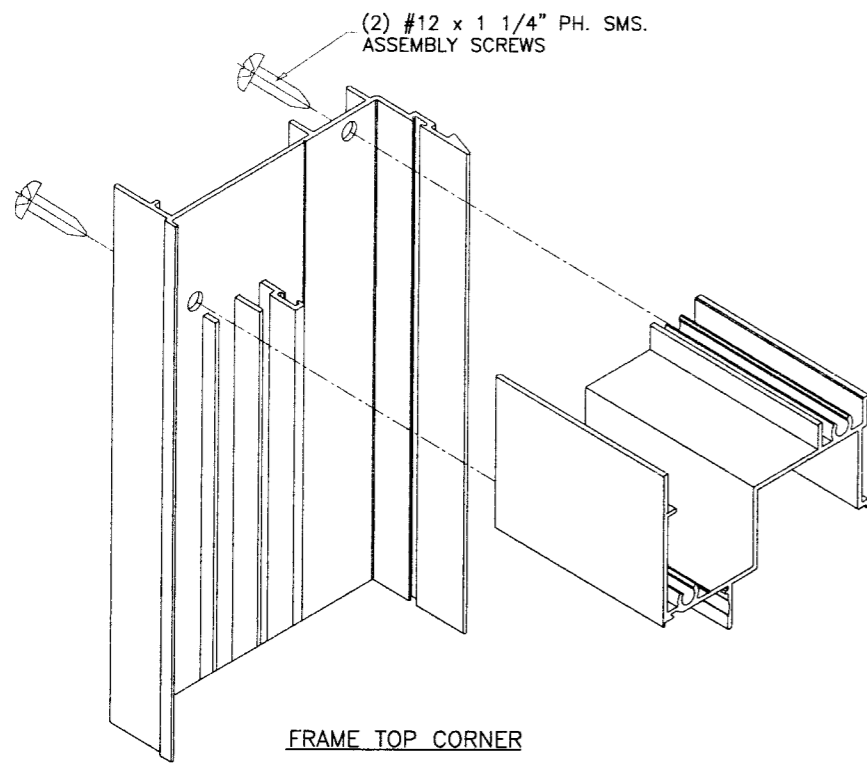
| revisions: | no | date | by | description |
|------------|----|------|----|-------------|
| | | | | |
| | | | | |
| | | | | |

date: 09-19-08
scale: 1/2" = 1"
dr. by: HAMID
chk. by:

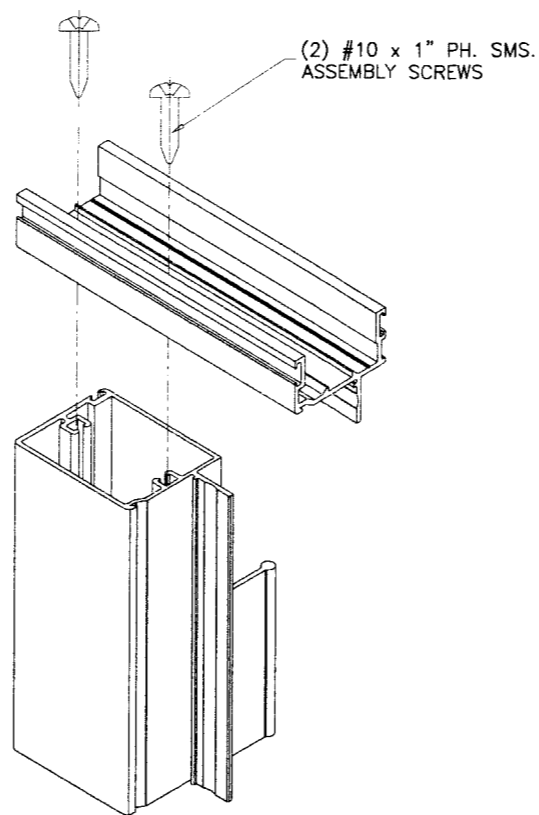
drawing no.
W08-81

sheet 5 of 6

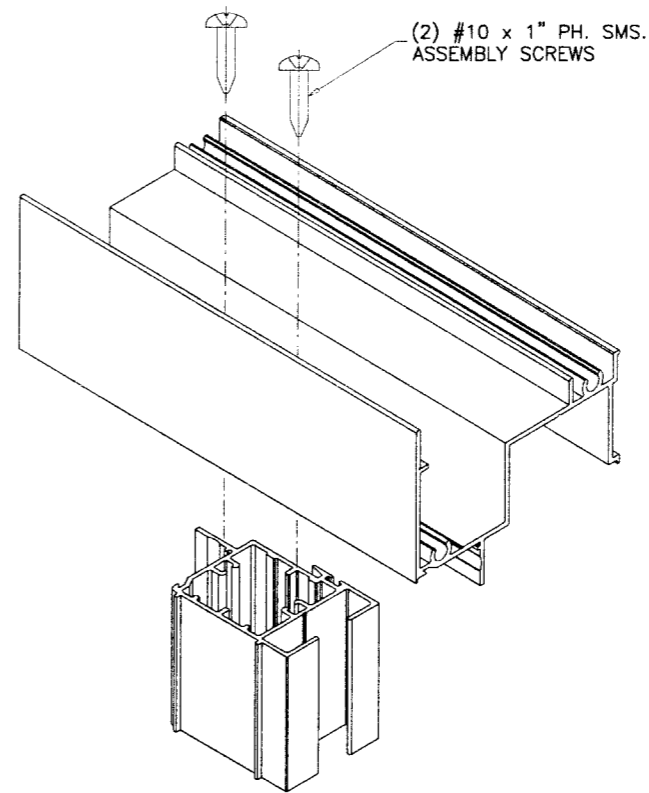
COMP-ANL\W08-81TMW



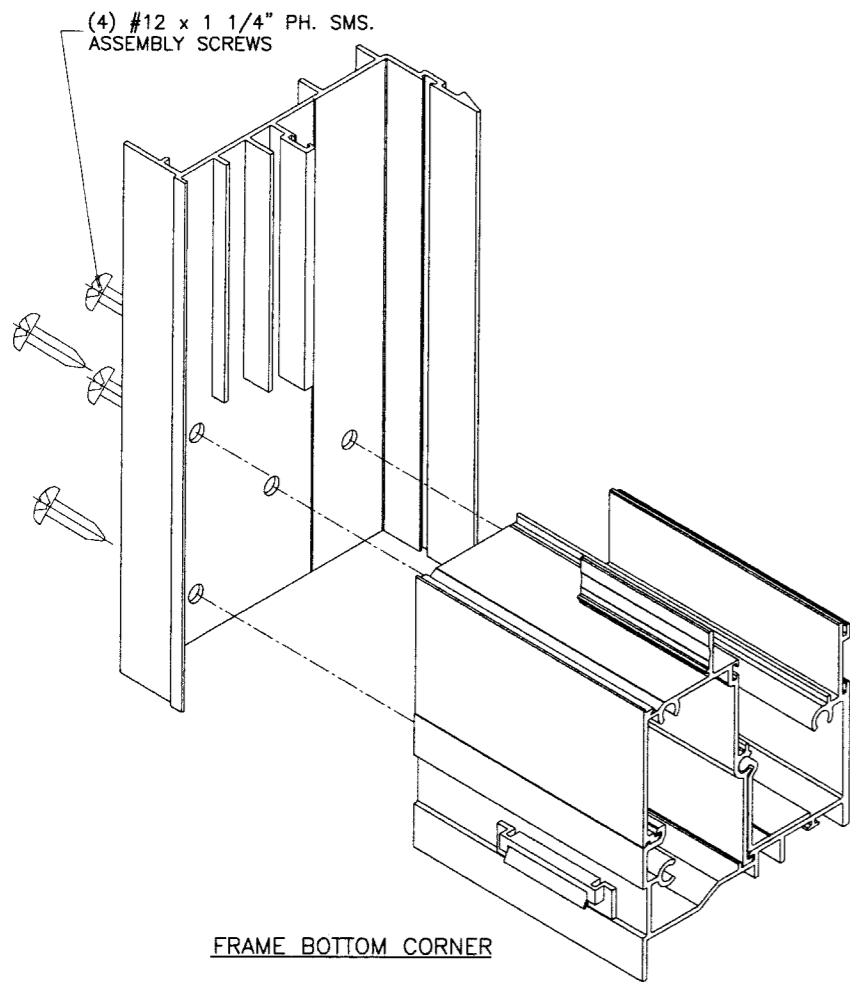
FRAME TOP CORNER



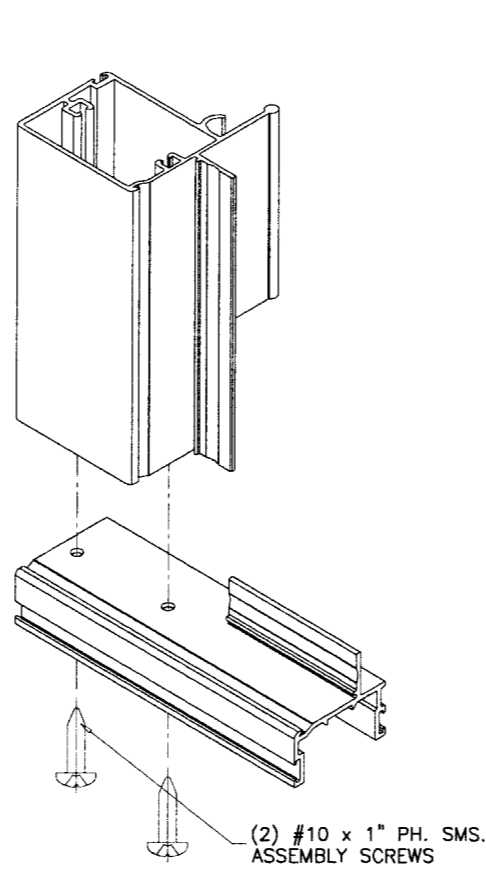
VENT TOP CORNER



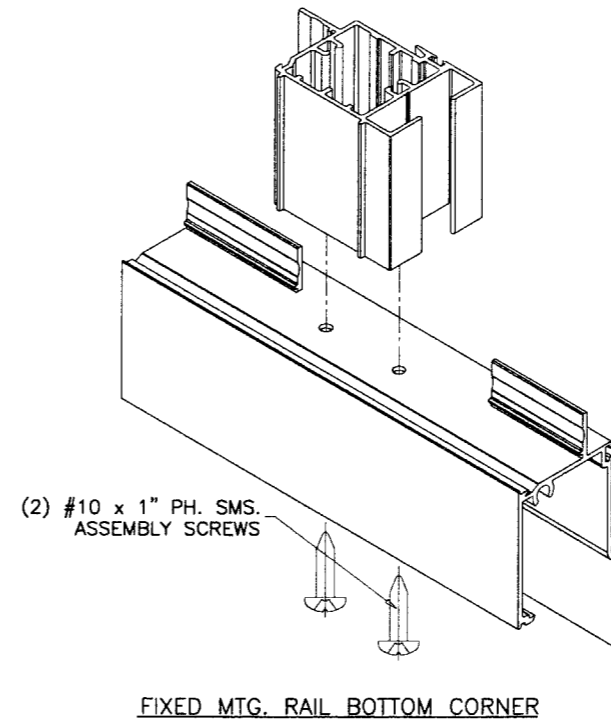
FIXED MTG. RAIL TOP CORNER



FRAME BOTTOM CORNER



VENT BOTTOM CORNER



FIXED MTG. RAIL BOTTOM CORNER

Engr: DR. HUMAYOUN FAROOQ
STRUCTURES
FLA. PE # 16357
C.A.N. 3538

NOV 05 2008

PRODUCT REVIEWED
as complying with the Florida
Building Code
Approved by
Inspector: *09-0105.02*
MAY 13, 2014
Manuel Perez
Product Development Control
Division

afc
AL-FAROOQ CORPORATION
ENGINEERS & PRODUCT DEVELOPMENT
1235 S.W. 87 AVE
MIAMI, FLORIDA 33174
TEL. (305) 264-8100 FAX. (305) 262-6978
COMP-ANL\W08-81TMW

SERIES 805 ALUM HORIZONTAL ROLLING WDW. (L.M.I.)
TM WINDOWS, LLC
601 N.W. 12TH AVE.
POMPANO BEACH, FL. 33069
TEL. (954) 781-4430 FAX. (954) 781-3595

revisions:

| no | date | by | description |
|----|------|----|-------------|
| | | | |
| | | | |
| | | | |
| | | | |

date: 09-19-08
scale: 1/2" = 1"
dr. by: HAMID
chk. by:

drawing no.
W08-81
sheet 6 of 6